

# Threaded Universal 60W Power Supply



## PART

UL Part Number	Ordering Part Number
PL-60-12-MU	P-OH060-12-PL-T

## FEATURES

- Universal input voltage 100 ~ 277 VAC
- Aluminum shell, silicone potted
- 100% full load burn-in tested
- Dry or Damp Locations Rated

## PERFORMANCE

Input Voltage	100~277 VAC
Input Current	1.1A~0.45A
Input Frequency	47~63Hz
Power Factor	Normal
Output Voltage	DC12V ±3%
Output Current	0-5.0A
Output Power	60W Max.

## SAFETY

Over Current Protection	110~120%
Short Circuit Protection	Hiccup mode, auto recover
Other Protection	Over Voltage
UL	UL879 / UL8750
CE-LVD	EN61347-1:2008+A1:2011+A2:2013 EN61347-2-13:2014

## PHYSICAL

Length	7.28" (185mm)
Width	1.90" (48.5mm)
Height	1.39" (35.5mm)
Mounting Length	8.28" (210.5mm)
Weight	1.27 lbs (580g)
Lead Lengths	SVT Cable 8.66" ±0.39" (220mm ± 10mm)

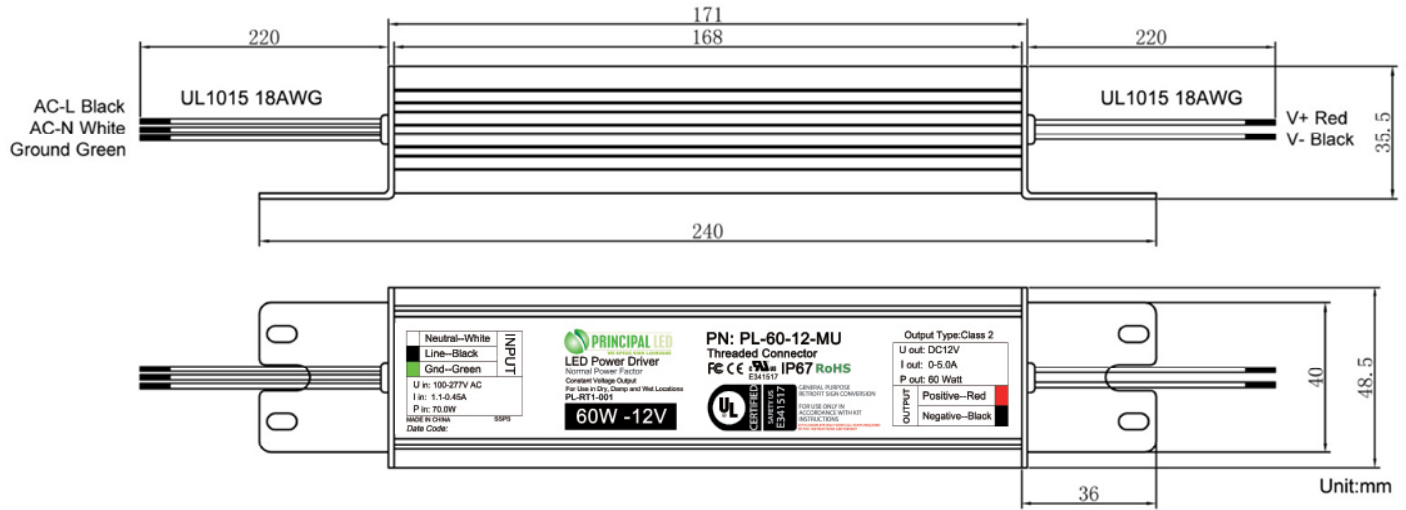
## ENVIRONMENTAL

CE-EMC	EN55015, EN61527, EN61000
FCC	FCC 47 CFR PART 15, CLASS B
IP Rating	1P67
Operating Temperature	-30°C to 60°C (-22°F to 140°F)
Storage Temperature	-40°C to 85°C (-40°F to 185°F)
Relative Humidity	20 to ±90% RH non cond.

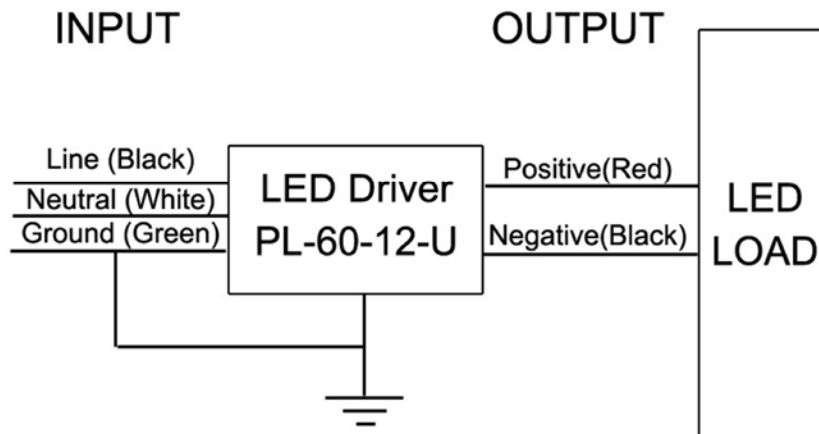
## ORDERING GUIDE

P	O	H	060	12	PL	T
Power Supplies	Outdoor, Direct-wire	100-277 VAC	Max. 60W	12VDC Output	Principal LED Power Supply	Threaded

MECHANICAL OUTLINE:



WIRING DIAGRAM:



www.p-led.com

(325) 227-4577

3490 Venture Drive, San Angelo, Texas 76905

info@p-led.com