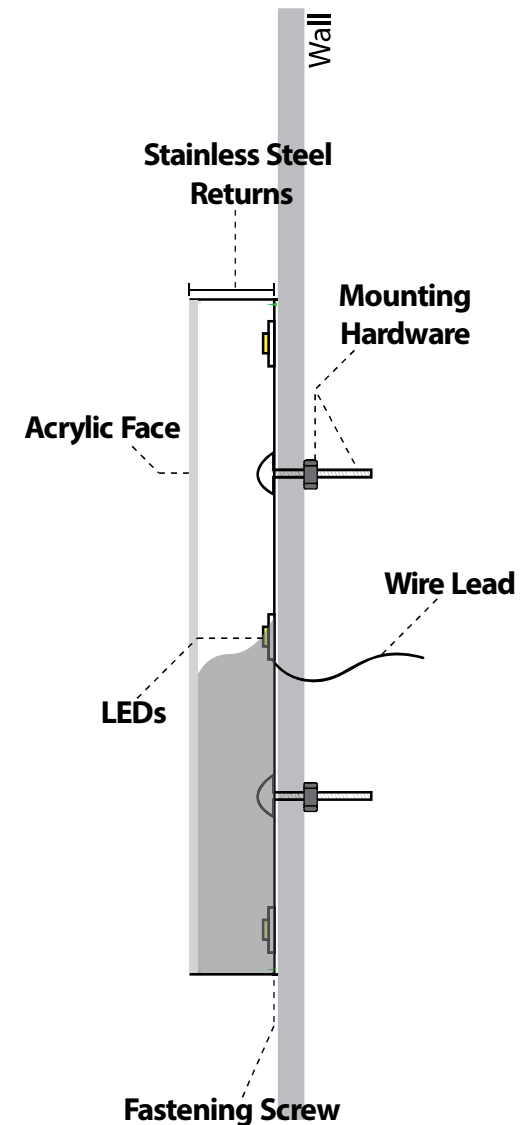
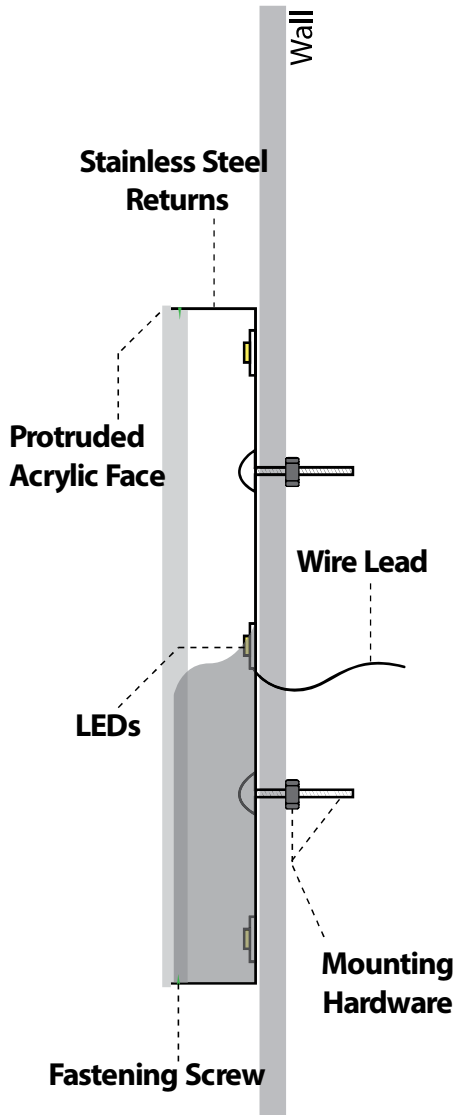


- Resno Flush Acrylic Face
- Stainless Steel returns
- Serviceable from Back
- More for Blocky-type letters
- Mounting is customizable

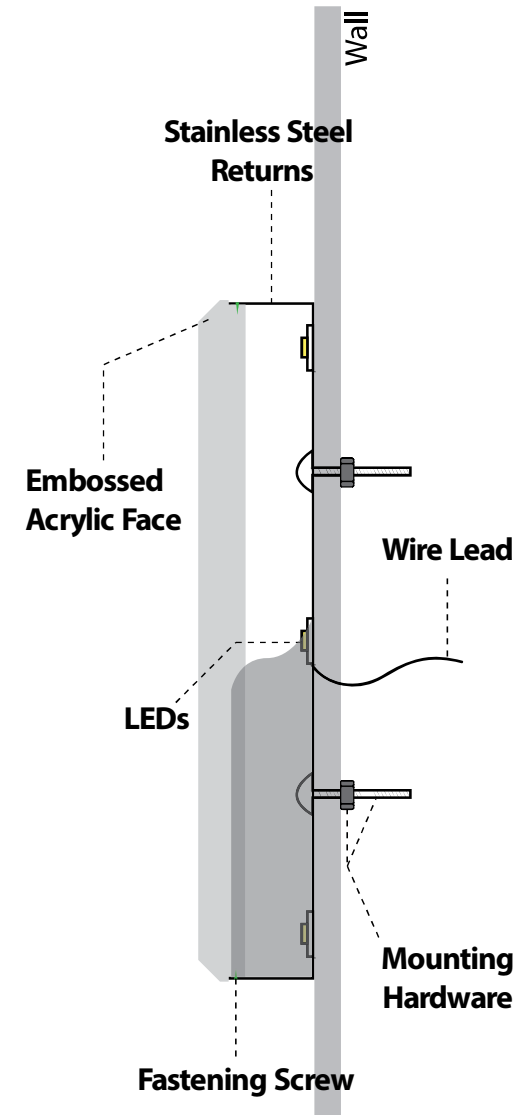


# RS-AC-F2



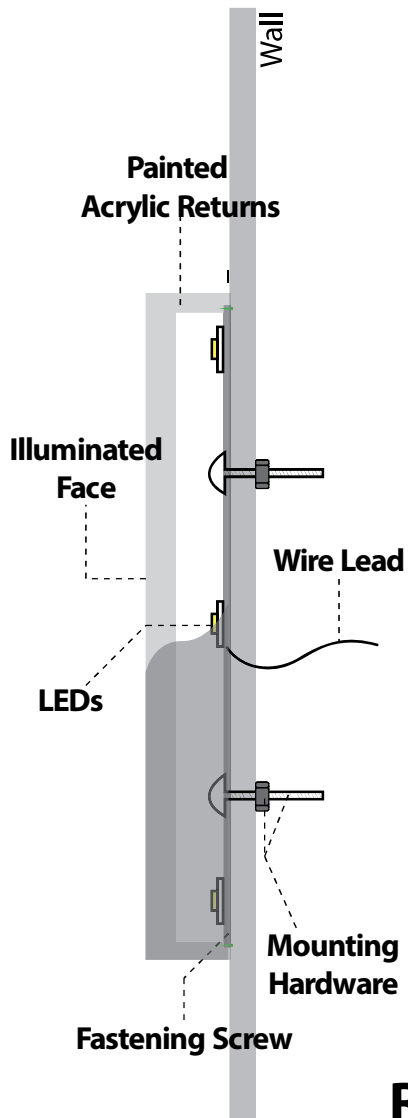
- **Resno Protruded Acrylic Face**
- **Face is customizable (Thickness, Color, etc.)**
- **Stainless Steel returns**
- **Serviceable from Face**
- **Flexible letter styles**
- **Mounting is customizable**

- **Resno Embossed Acrylic Face**
- **Face is customizable**
- **Stainless Steel returns**
- **Serviceable from Face**
- **Flexible letter styles but with wider strokes**
- **Mounting is customizable**

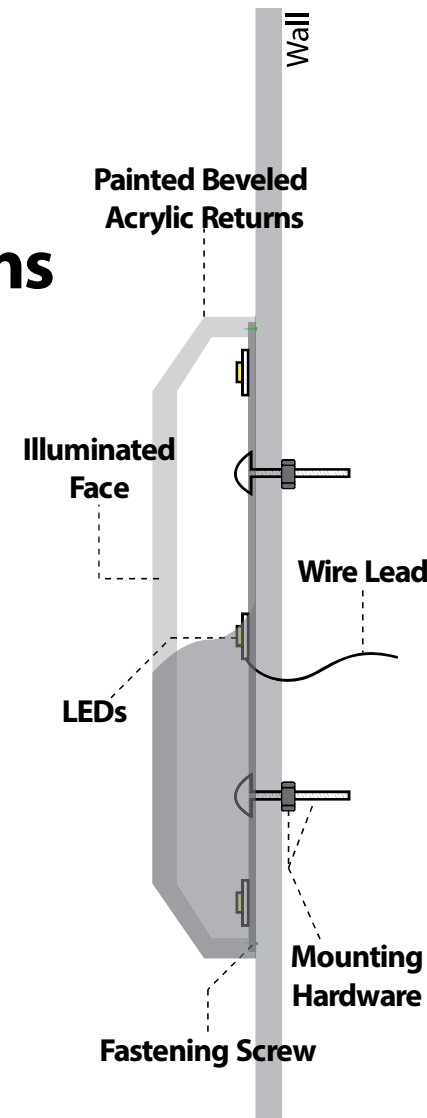


## RS-AC-F4\_Bevel Cut

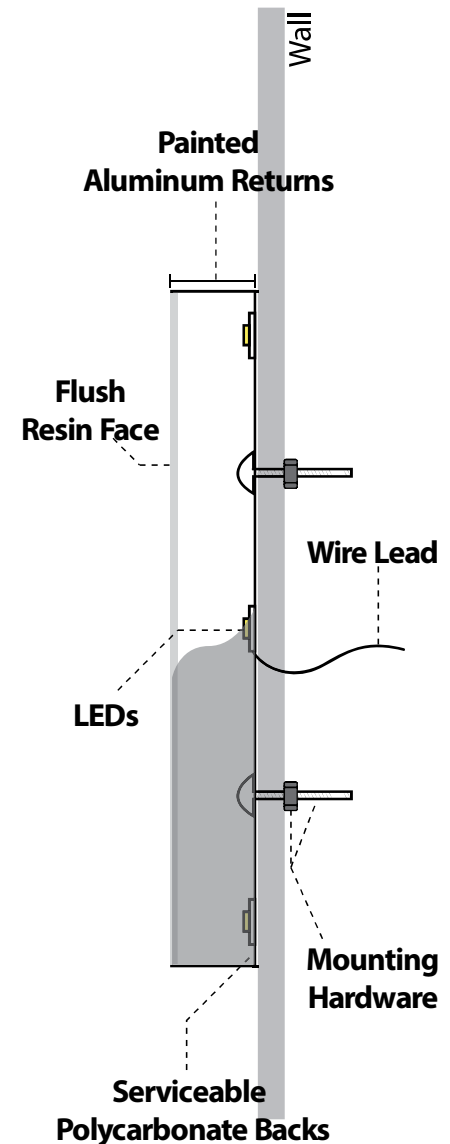
- Resno Ultra-thin Acrylic Face and Returns
- Letter shapes are routed from Acrylic
- Painted Sides
- Serviceable from Back
- Most flexible style - Able to achieve the thinnest strokes due to Bevel option
- Standard Wall Mounting



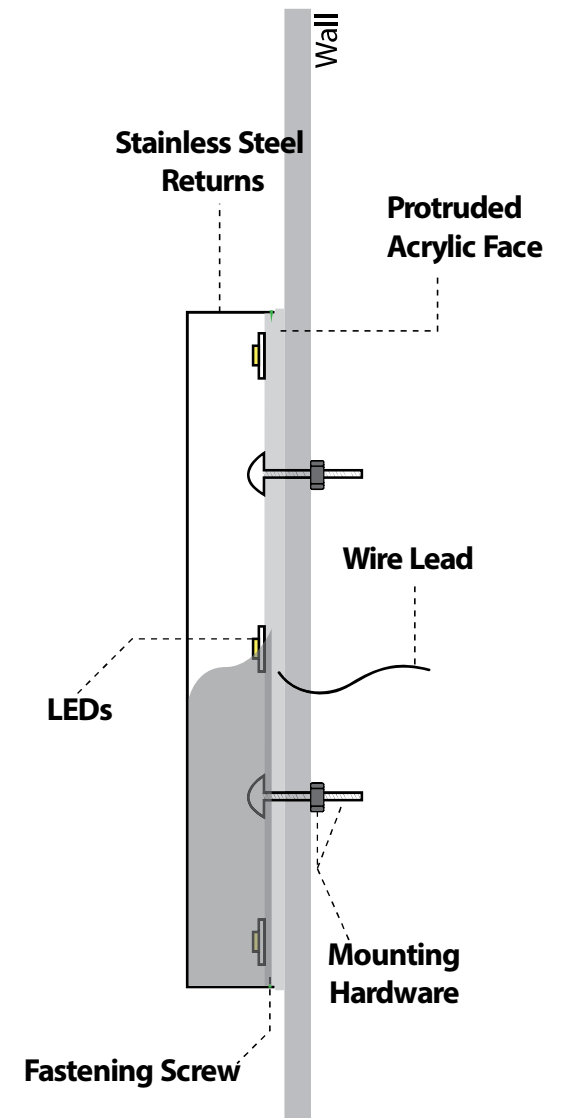
RS-AC-F4\_Straight Cut



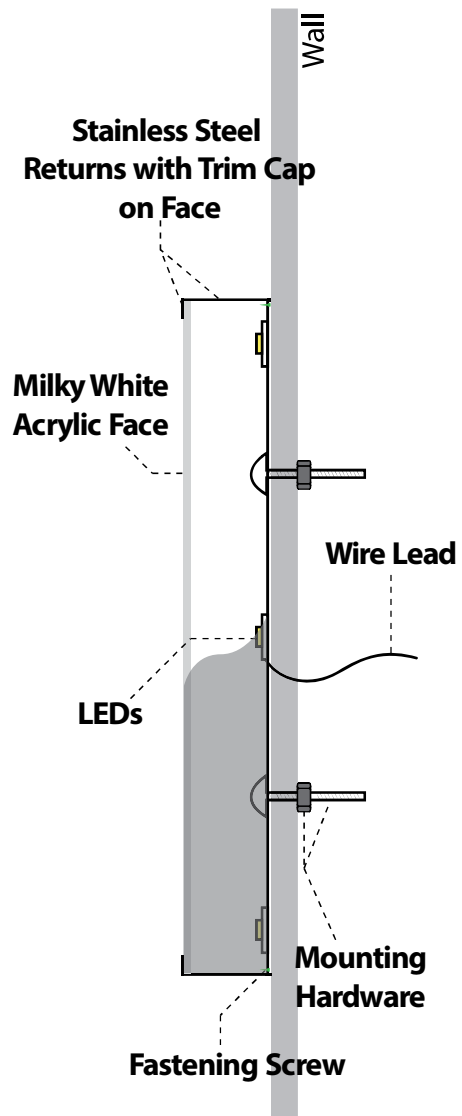
- Resno Flush Resin Face
- Aluminum returns
- Serviceable from Back (In-house ONLY)
- Blocky letters and some Serif styles
- Painted returns ONLY
- Mounting is not customizable



- Resno Halo and Partial Side
- Stainless Steel returns
- Serviceable from Backer
- Flexible letter styles
- Mounting is customizable

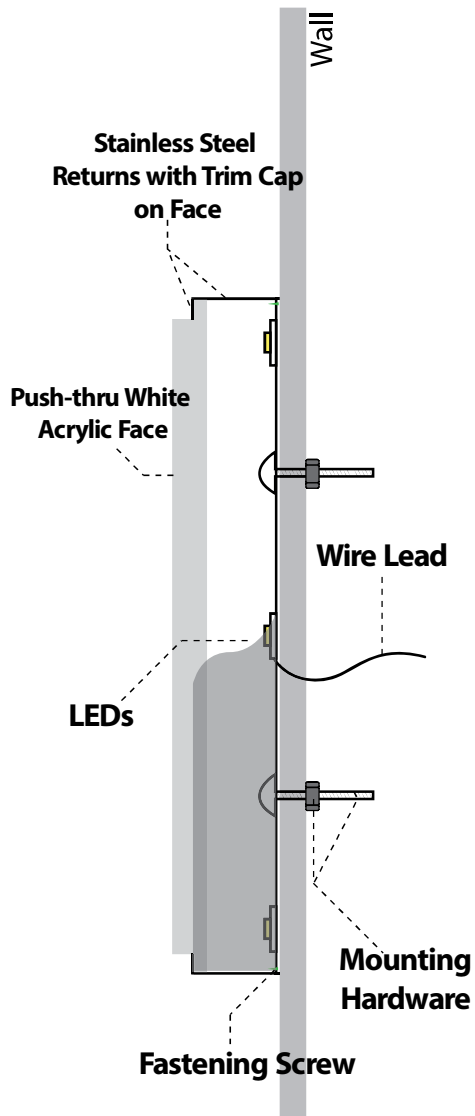


# RS-AC-F5



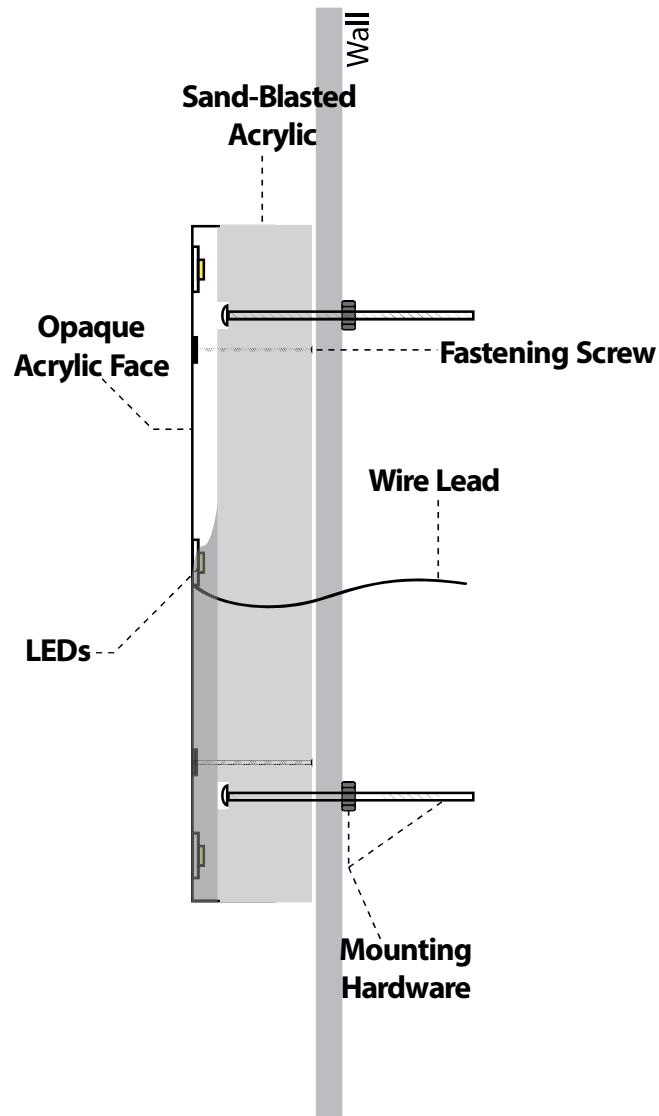
- Resno Flush Acrylic with Stainless Steel Trim on Face
- Stainless Steel Returns
- Serviceable from Back
- Blocky letters and minimal Serif styles
- Mounting is customizable

# RS-AC-F6



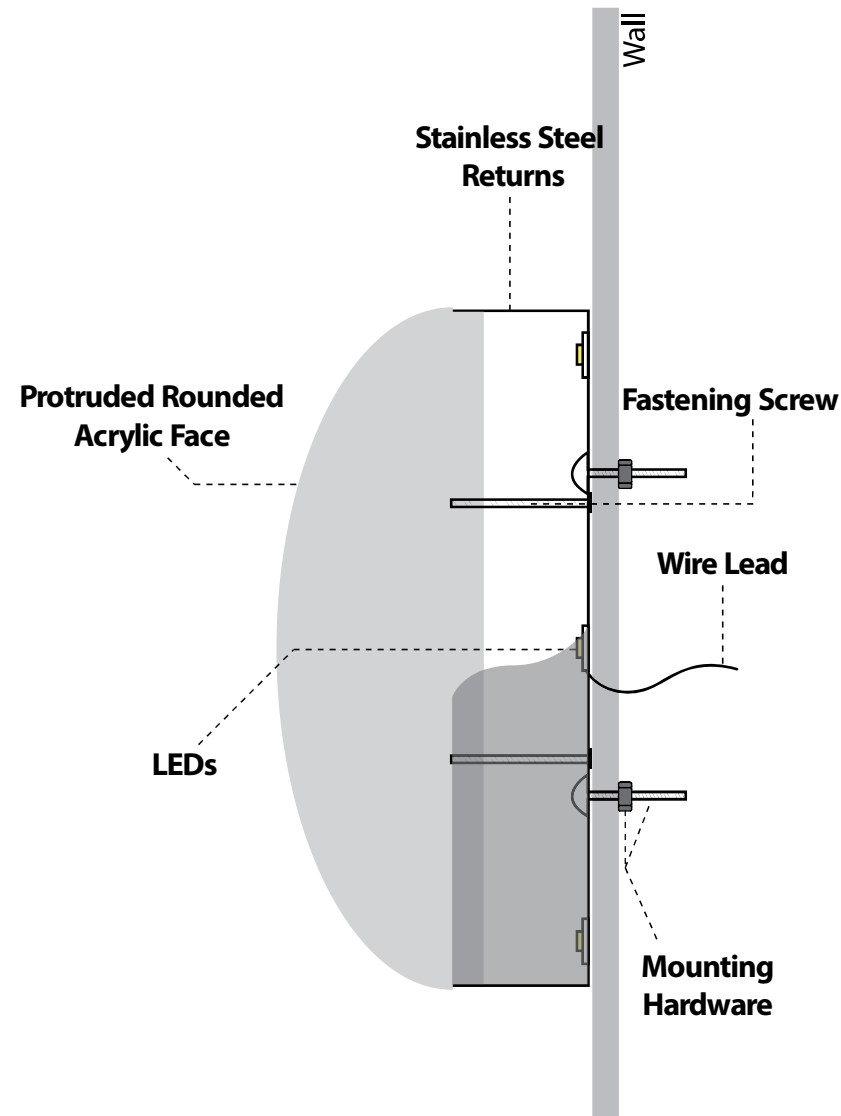
- Resno Push-thru Acrylic with Stainless Steel Trim on Face
- Stainless Steel Returns
- Serviceable from Back
- Blocky letters and minimal Serif styles
- Mounting is customizable (depending on Depth)



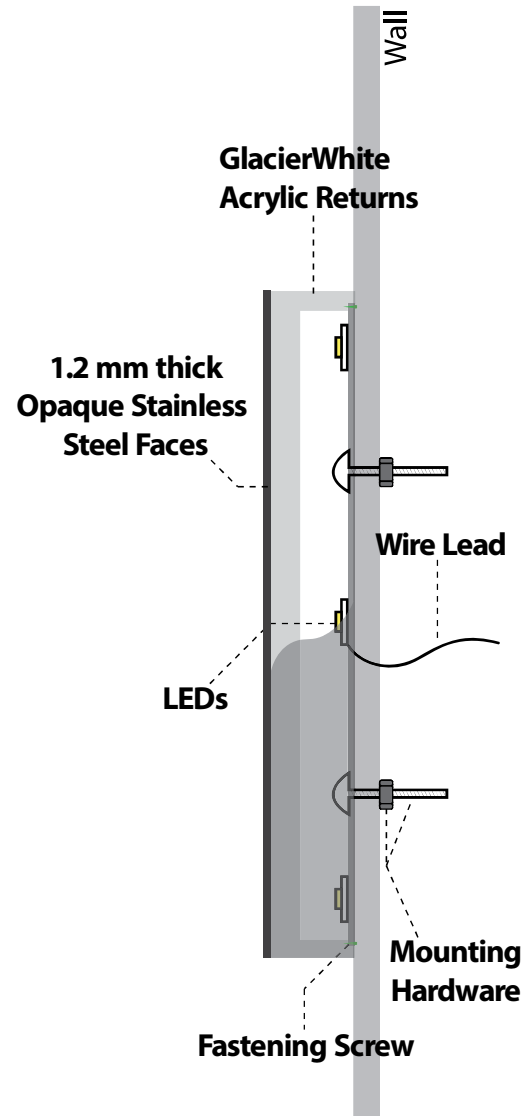


- Resno Halo and Partial Side v.2
- Opaque Acrylic Faces
- Sand-blasted Acrylic Returns
- Serviceable from Backer
- Mounting is not customizable

- Resno Faux Neon Style
- Rounded Acrylic Face
- Stainless Steel returns
- Serviceable from Face
- Must have consistent stroke size
- Mounting customization tentative

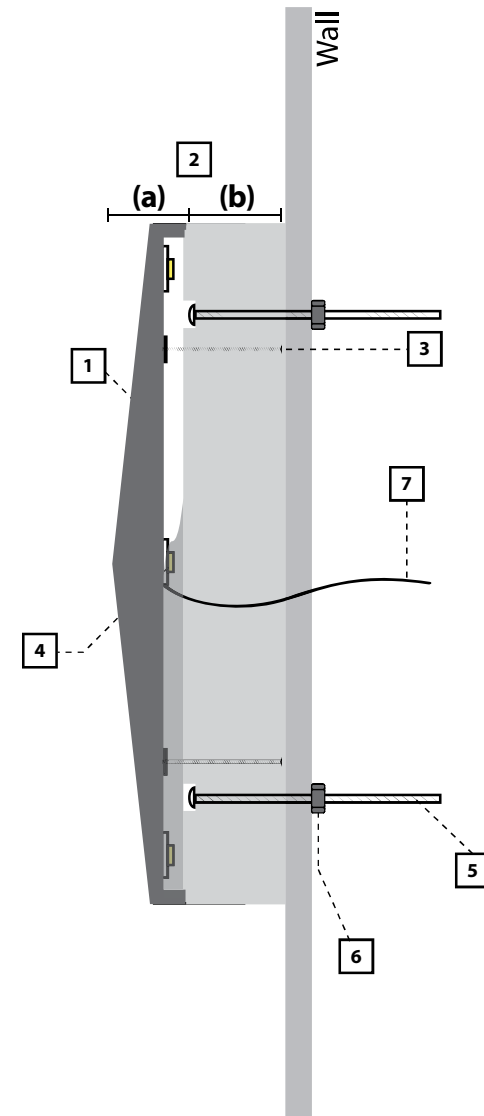


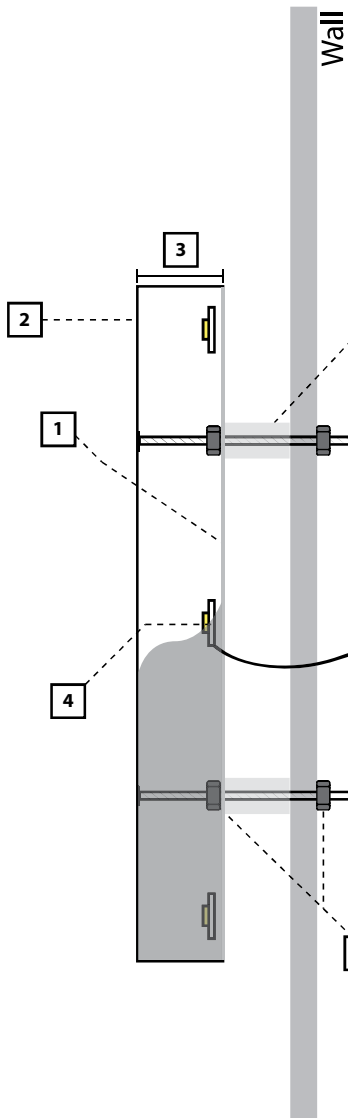
# RS-AC-S1



- Resno Acrylic Full Side
- Letter shapes are routed from GlacierWhite Acrylic
- Painted Stainless Steel Faces (1.2 mm thick)
- Serviceable from Back
- Minimum Stroke Requirement: 1.25"
- Standard Wall Mounting

- **Resno Embossed Acrylic Face**
- **Face is customizable**
- **Stainless Steel returns**
- **Serviceable from Face**
- **Flexible letter styles but with wider strokes**
- **Mounting is customizable**





**- Resno Ultra-thin Acrylic Face and Returns**

**- Letter shapes are routed from Acrylic**

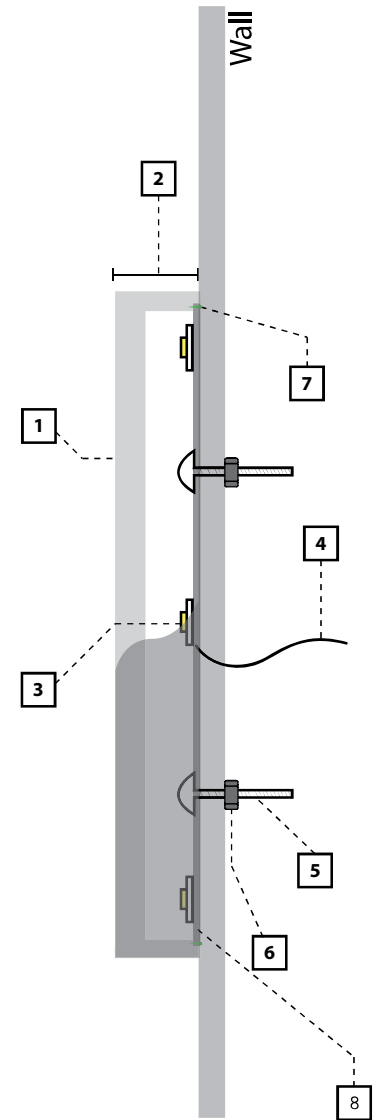
**- Painted Sides**

**- Serviceable from Back**

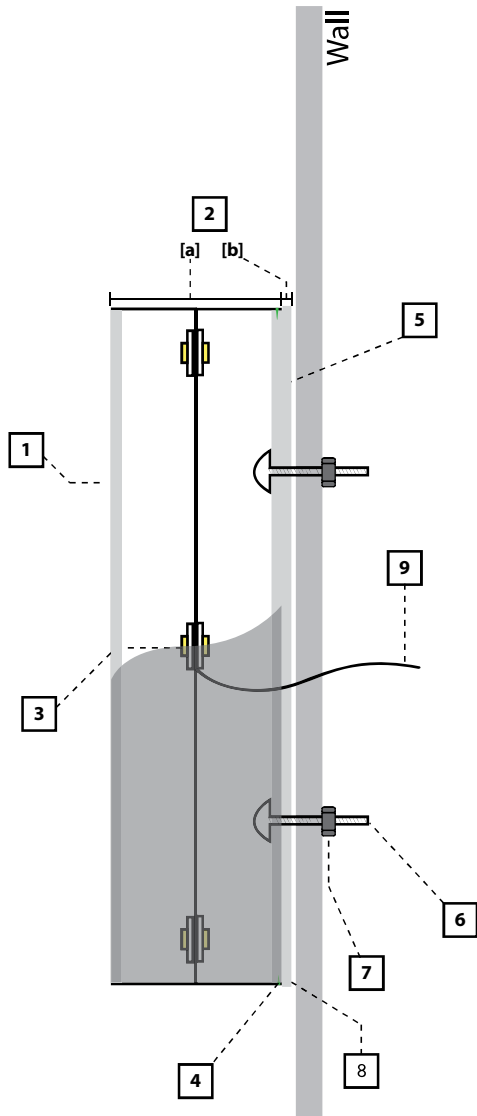
**- Most flexible style - Able to achieve the thinnest strokes due to Bevel option**

**- Standard Wall Mounting**

- Resno Flush Resin Face
- Aluminum returns
- Serviceable from Back (In-house ONLY)
- Blocky letters and some Serif styles
- Painted returns ONLY
- Mounting is not customizable



# RS-AC-F1S2



- Resno Flush Acrylic with Stainless Steel Trim on Face

- Stainless Steel Returns

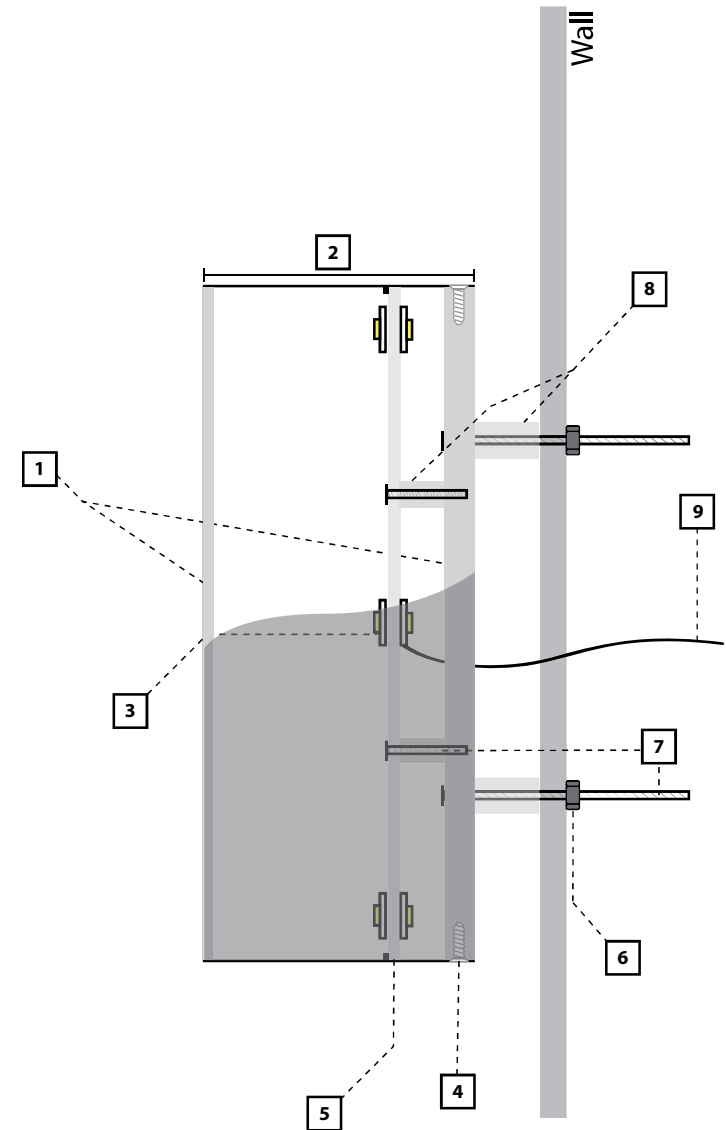
- Serviceable from Back

- Blocky letters and minimal Serif styles

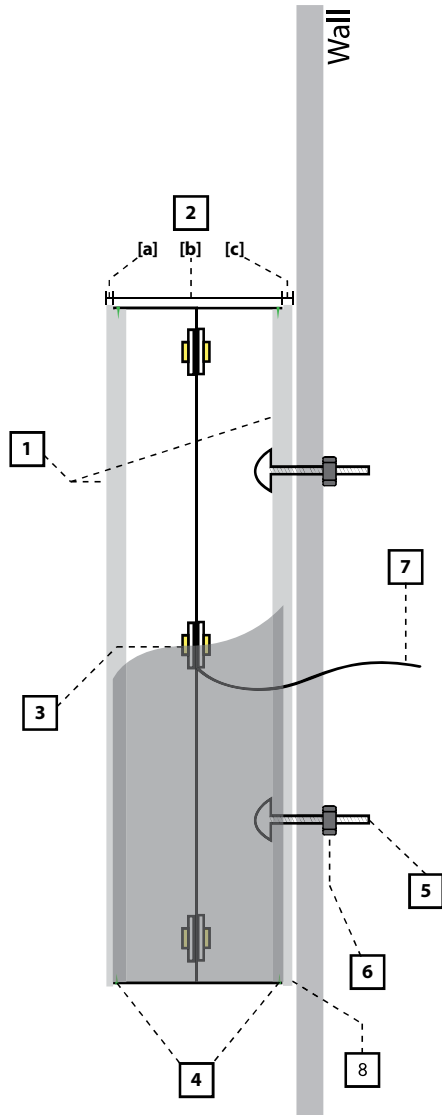
- Mounting is customizable

# RS-AC-F1H1

- Resno Faux Neon Style
- Rounded Acrylic Face
- Stainless Steel returns
- Serviceable from Face
- Must have consistent stroke size
- Mounting customization tentative







- Resno Acrylic Full Side

- Letter shapes are routed from GlacierWhite Acrylic

- Painted Stainless Steel Faces (1.2 mm thick)

- Serviceable from Back

- Minimum Stroke Requirement: 1.25"

- Standard Wall Mounting